

# OPI | GROUP

Opificio Progettazioni Industriali

# SILVER

---



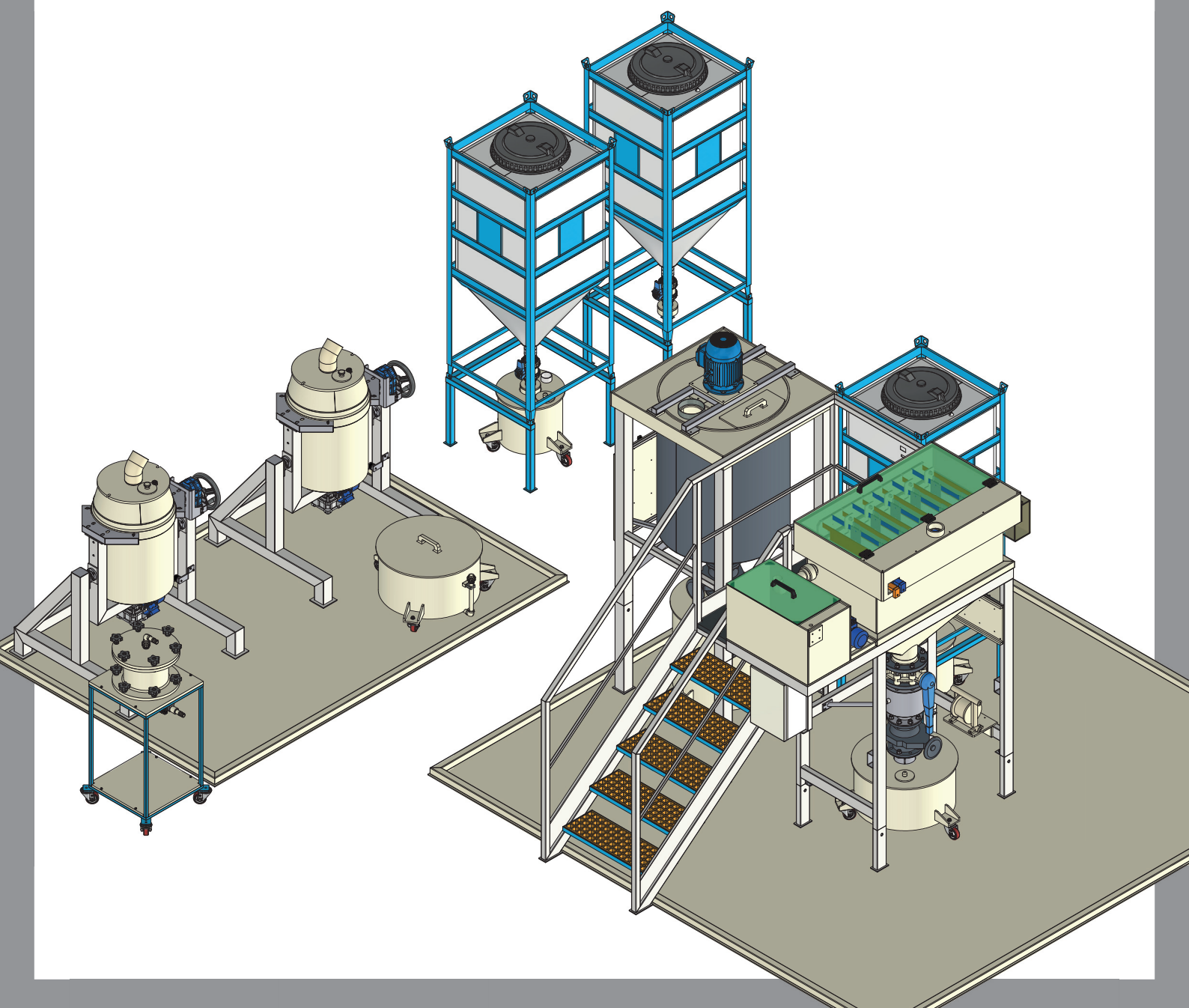
## SILVER

---

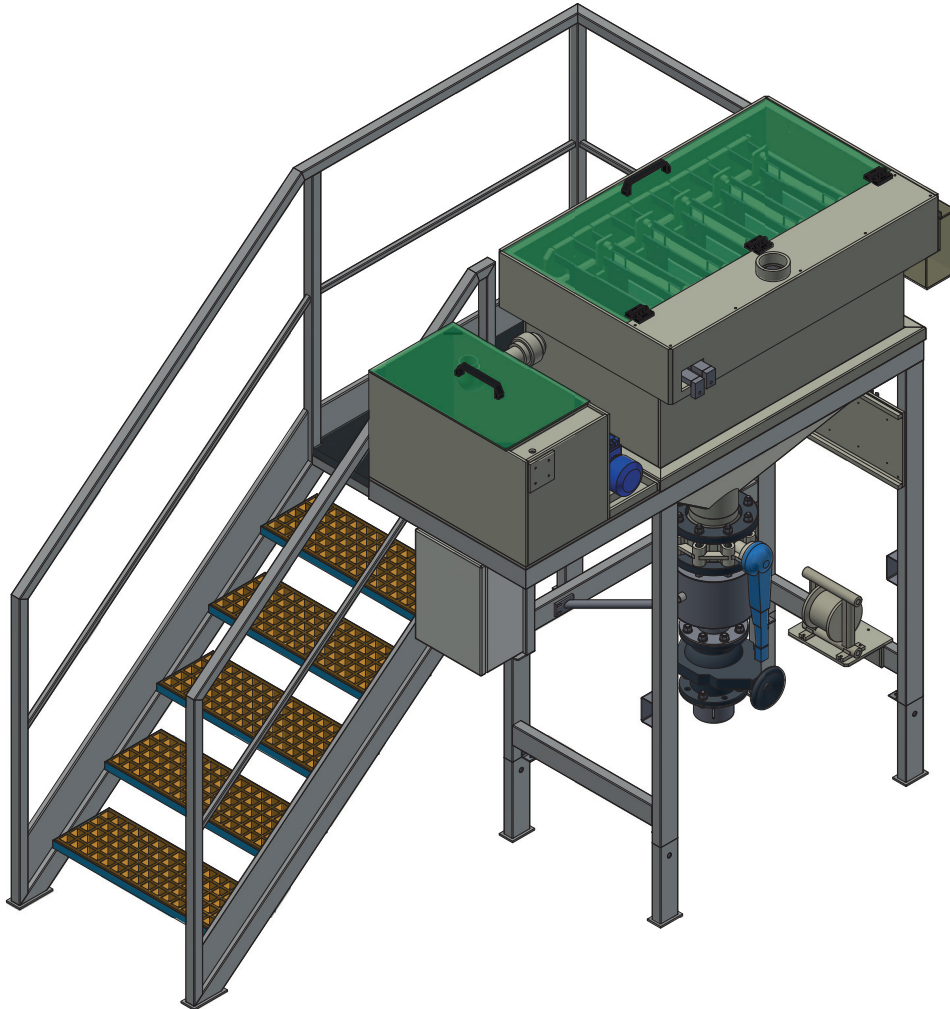
OPI GROUP offers a silver electrolytic refining plant that is modular and expandable according to the amount of material to be processed. The result of this processing is 999.9/1000 fine silver. Silver electrolytic refining allows refining a minimum of 15 kg/cycle in fine bath and with 980/1000 fine silver anode. The system consists of an AISI304/316 steel frame, one or more PP tanks with support structures for anodes and cathodes, suction points, stairs and walking frame with anti-slip resin flooring, Buchner filter and rectifier. The produced fume is conveyed and neutralized in special smoke reduction towers, appropriately sized.

The solutions that are exhausted and no longer usable will be stored and treated in special reactors, where it will be possible to recover the silver contained and reuse it in the electrolysis system.

The dimensioning and design of the system, in term of both quantities to be processed and positioning, will be decided together with the customer.



## SILVER ELECTROLYSIS

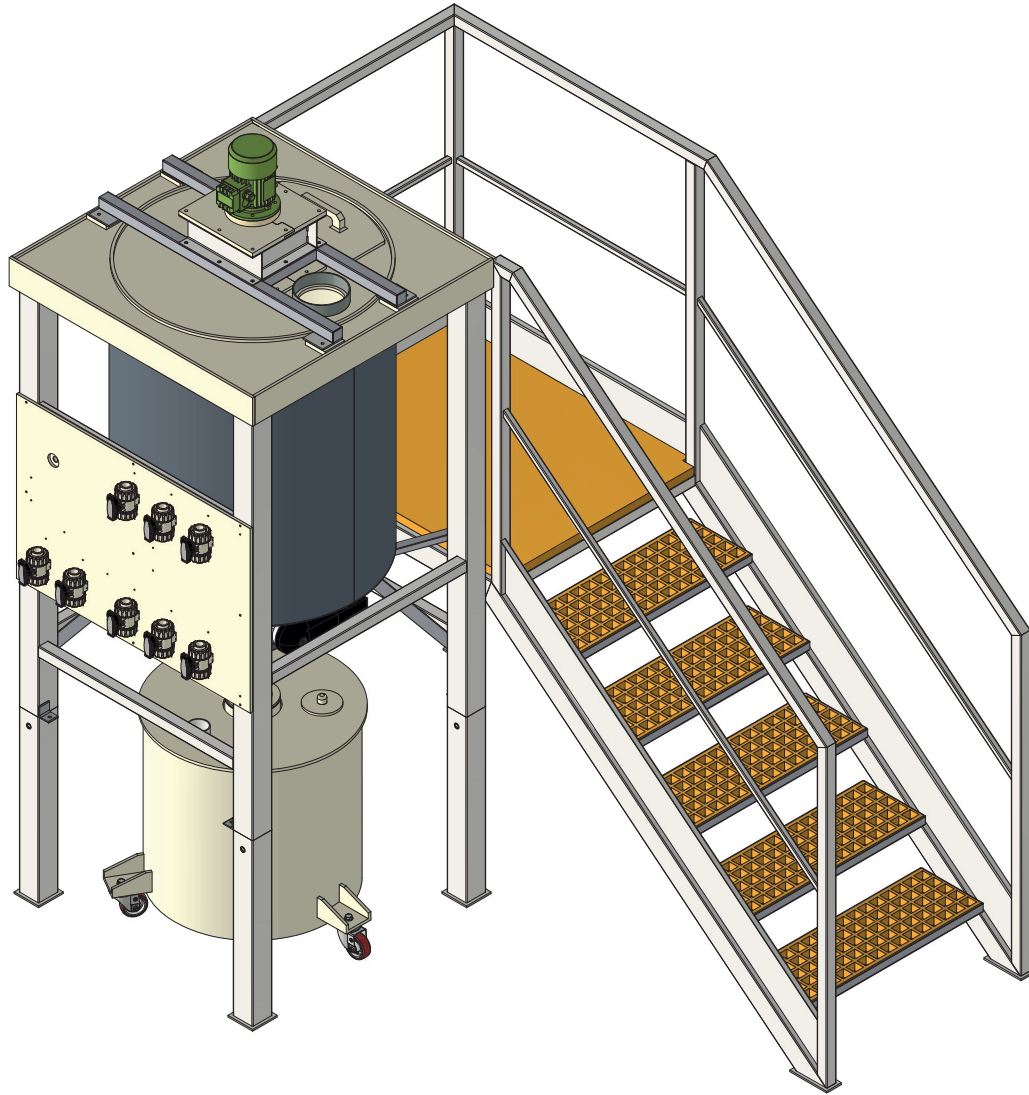


MODEL	AGR25	AGR50
PRODUCTION CAPACITY Kg/24H	15-25	30-50
TANK CAPACITY lt	450	900

The dimensions are to be considered INDICATIVE and without stairs and/or walkways.



## SILVER CHLORIDE TREATMENT FROM ELECTROLYSIS

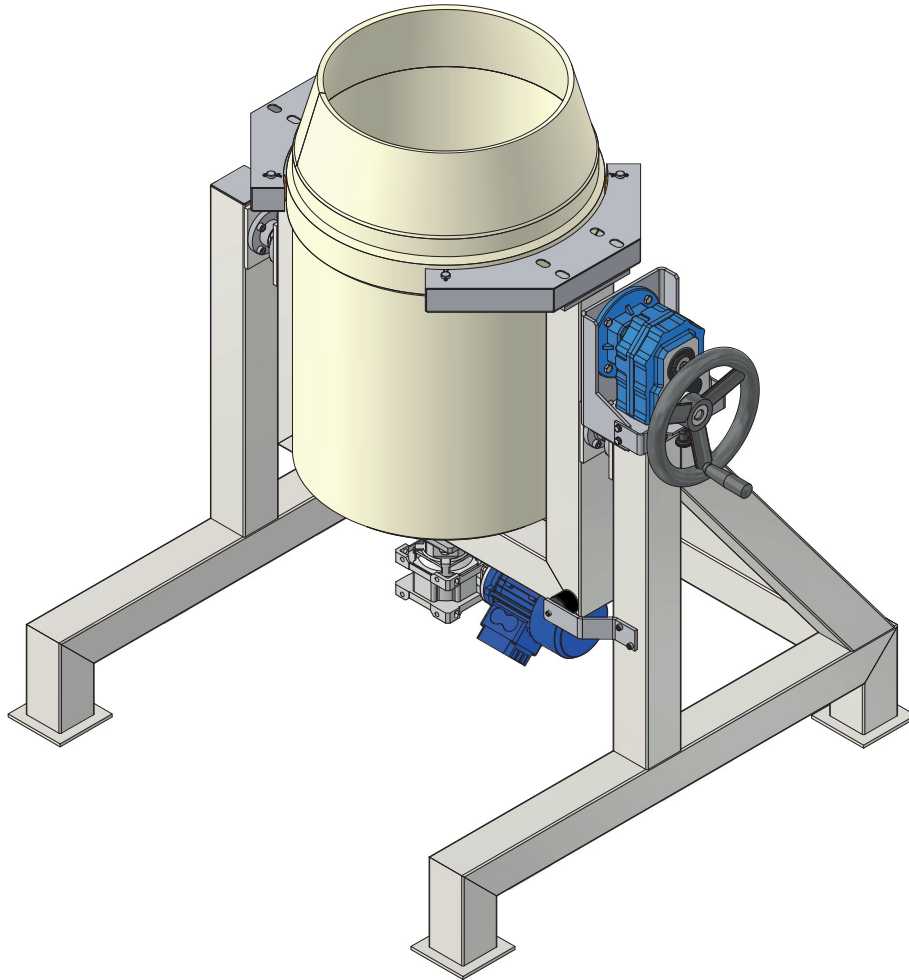


MODEL	PR500	PR1200
CAPACITY lt	500	1200
POWER kW	1,50	2,50
OVERALL DIMENSIONS mm	1200X1200XH2000	1500X1500XH2400

The dimensions are to be considered INDICATIVE and without stairs and/or walkways.



## SILVER CHLORIDE TREATMENT FROM GOLD REFINERY

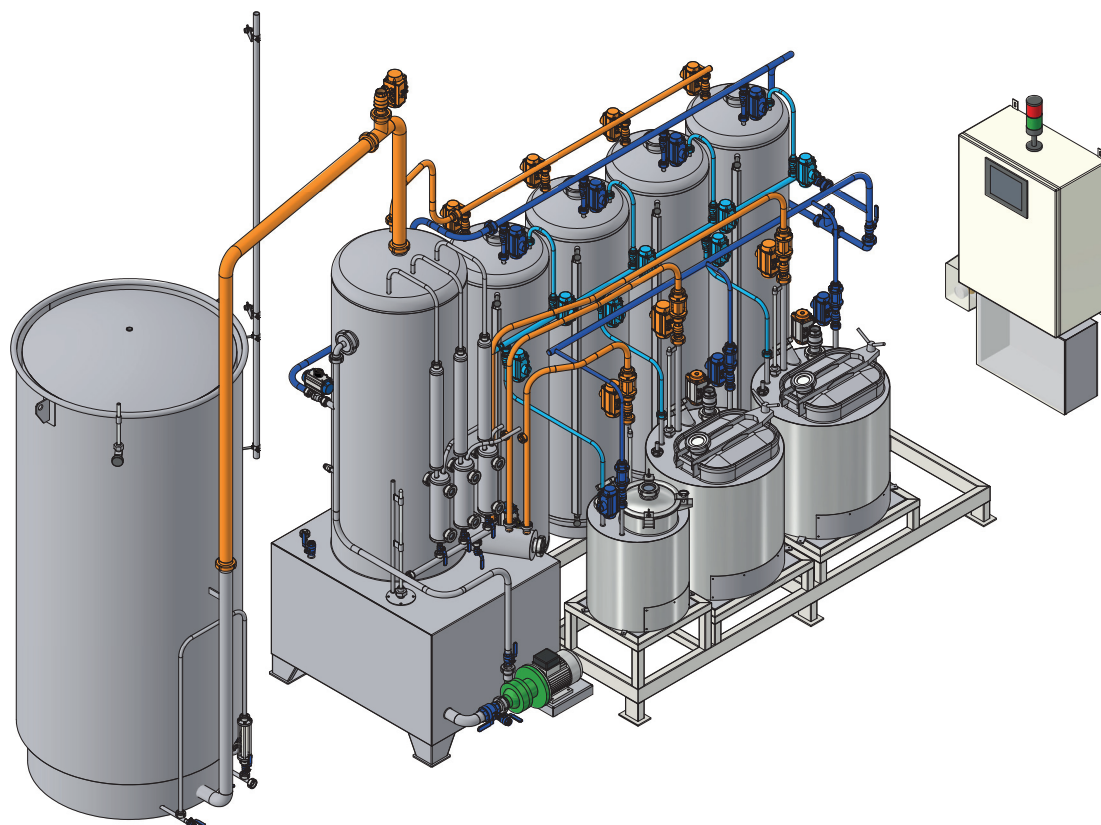


<b>MODEL</b>	<b>CA100</b>
<b>CAPACITY lt</b>	100
<b>POWER kW</b>	1,50
<b>OVERALL DIMENSIONS mm</b>	1000X1500XH1300
<b>OVERALL DIMENSIONS mm</b>	2000X1000XH2000

The dimensions are to be considered INDICATIVE and without stairs and/or walkways.



## CHEMICAL SILVER REFINING AND SILVER BATH PREPARATION



MODEL	DR30	DR100	DR250	DR500
CAPACITY lt	30	100	250	500
POWER kW	0,55	1,5	1,5	2,5
HEATING POWER kW	3,00	4,50	6,00	12,00
OVERALL DIMENSIONS mm	2000X1000XH2000	2500x1500xH2500	2500x1500xH2500	5000x2000xH2500

The dimensions are to be considered INDICATIVE and without stairs and/or walkways.

