

# OPI | GROUP

Opificio Progettazioni Industriali

# PURIFICATION

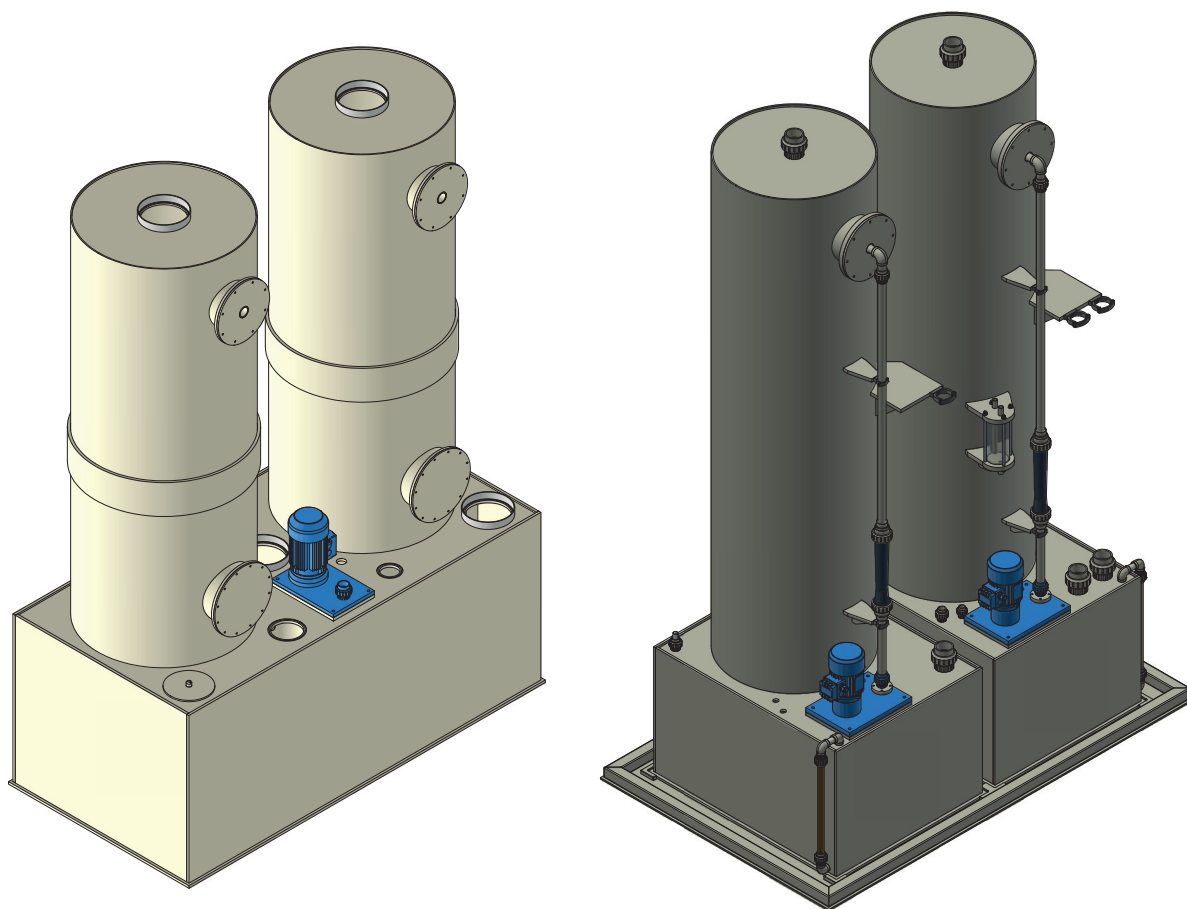
---



## FUME TREATMENT SYSTEMS

OPI GROUP offers a wide range of products to reduce the emissions into the atmosphere. Each reduction tower is proportionate to the customer's (both practical and structural) needs and to the process that is meant to be performed; They are made of (self-extinguishing) PP/PPs and consist of a (acidic or basic) smoke washing tower, a solution containment tank, one or more solution recirculation pumps and an extractor fan sized according to the tower and to the number of suction points.

OTHER MODELS AND DIMENSIONS ON REQUEST



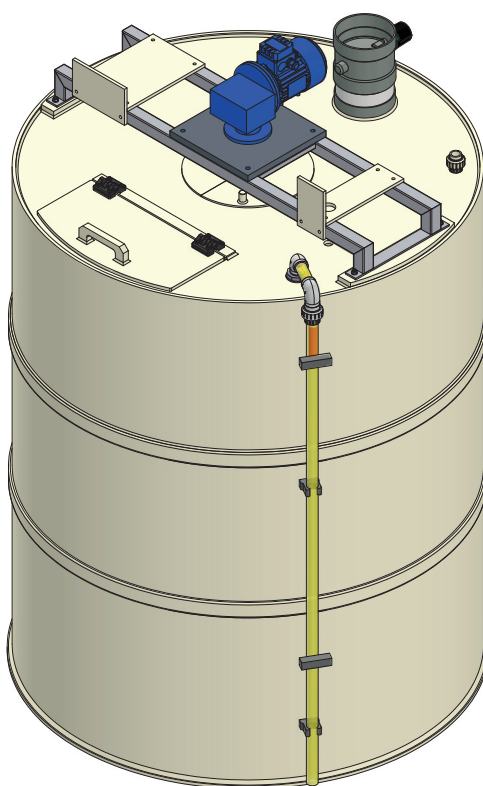
MODEL	BS600	BS2-600	BS900	BS2-900
CAPACITY mc/h	800	1500	2000	3500
POWER kW	3,00	3,50	6,50	8,50
OVERALL DIMENSIONS mm	1000x1200xH2500	2000X1200XH2500	1500X1500XH2500	2500X1500XH2500

The dimensions are to be considered INDICATIVE and without stairs and/or walkways.



## HYDROXIDE TREATMENT

The residual liquids resulting from the refining of precious metals contain various metals (copper, iron, cadmium, nickel, etc.); these solutions require to be properly treated in order to eliminate the heavy metals therein contained thus reducing disposal costs. OPI GROUP offers automated processes for the on-site treatment of effluents. The produced smoke is conveyed and neutralized in special smoke reduction towers, appropriately sized. The dimensioning and design of the system, in term of both quantities to be processed and positioning, will be decided together with the customer.



MODEL	HT500	HT1000	HT2000
CAPACITY lt	500	1000	2000
POWER kW	1,50	1,50	1,5
OVERALL DIMENSIONS mm	800X800X1200	1300X1300X1000	1300X1300X1800

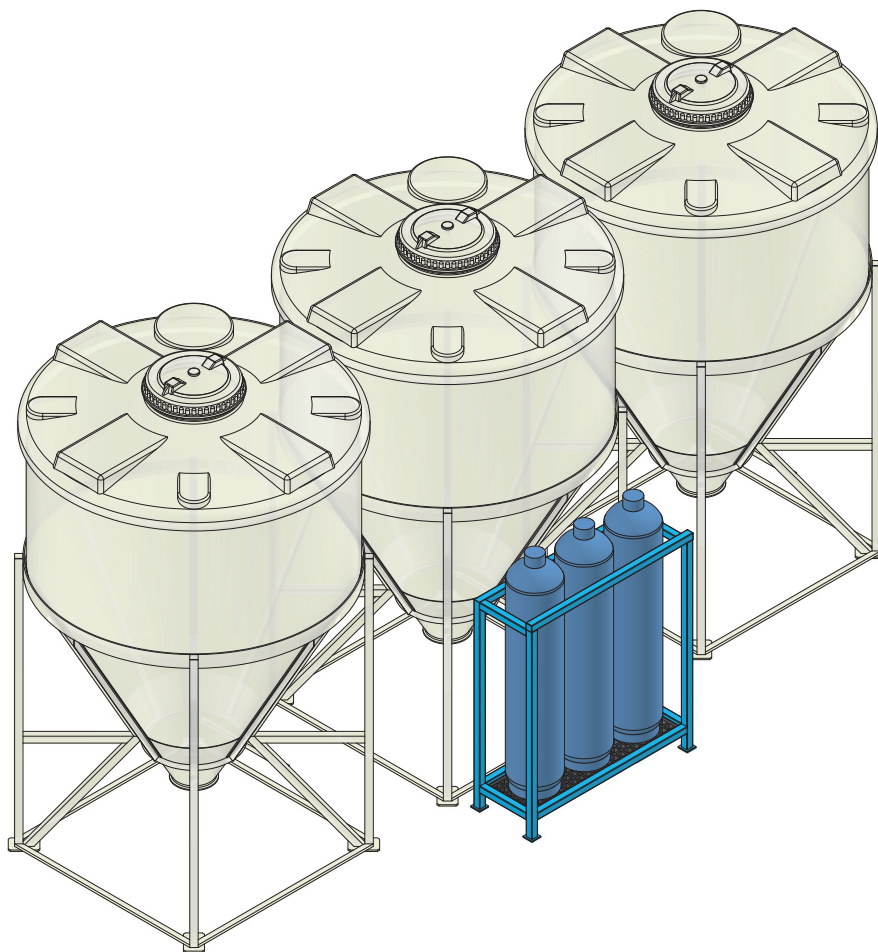
The dimensions are to be considered INDICATIVE and without stairs and/or walkways.



## SELECTIVE RESIN TREATMENT

The liquid waste resulting from precious metals refining processes contains, in solution, both filler metals of the refined alloys and traces of the same precious metals.

OPI GROUP offers precious metal recovery systems based on physical and chemical techniques that aim for maximum excellence of the result.



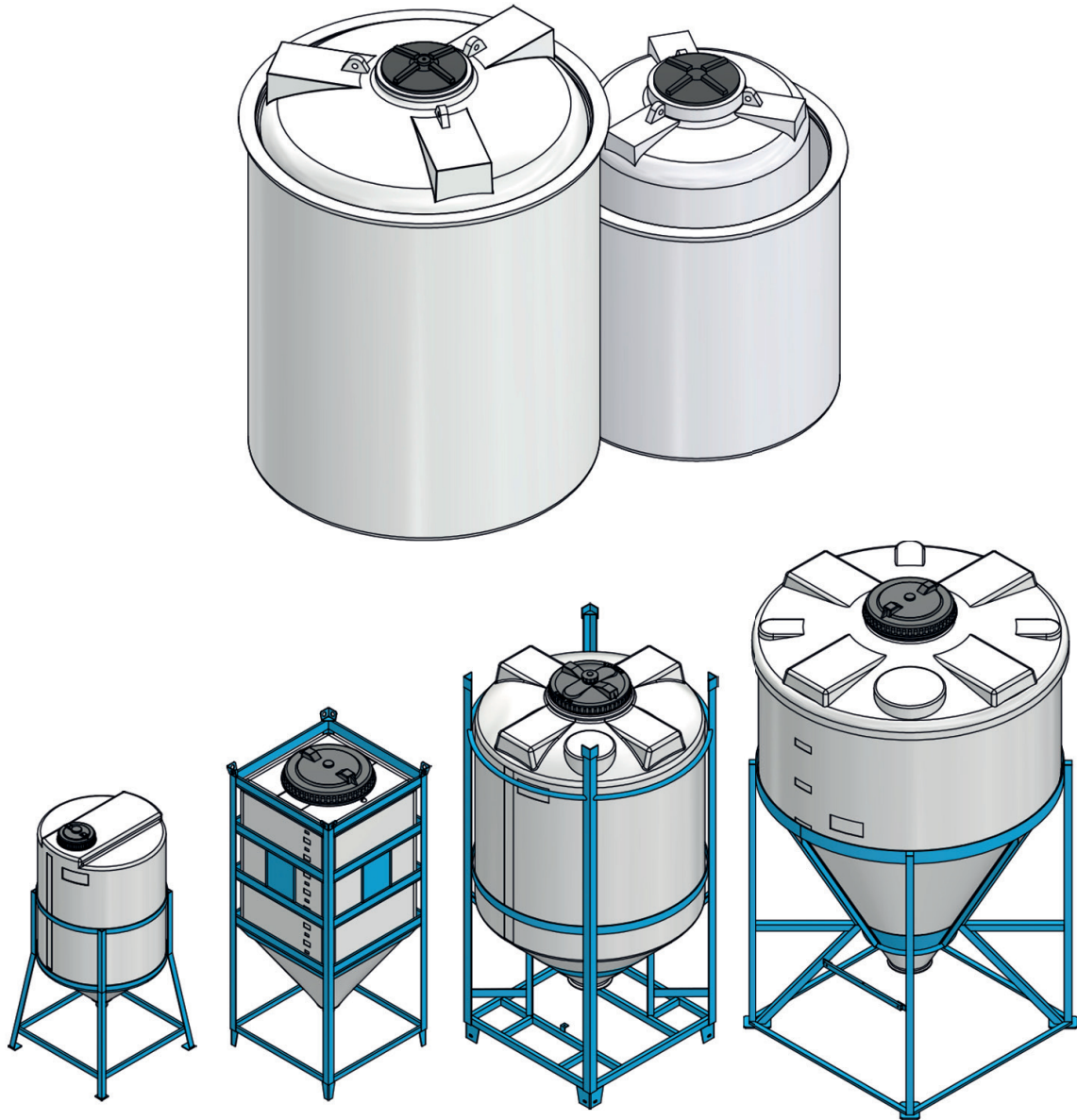
MODEL	RES50	RES80
CAPACITY lt	150	240
POWER kW	0,55	0,55
OVERALL DIMENSIONS mm	1500X500XH1500	1800X500XH1500

The dimensions are to be considered INDICATIVE and without stairs and/or walkways.



## STORAGE AND TREATMENTS

---

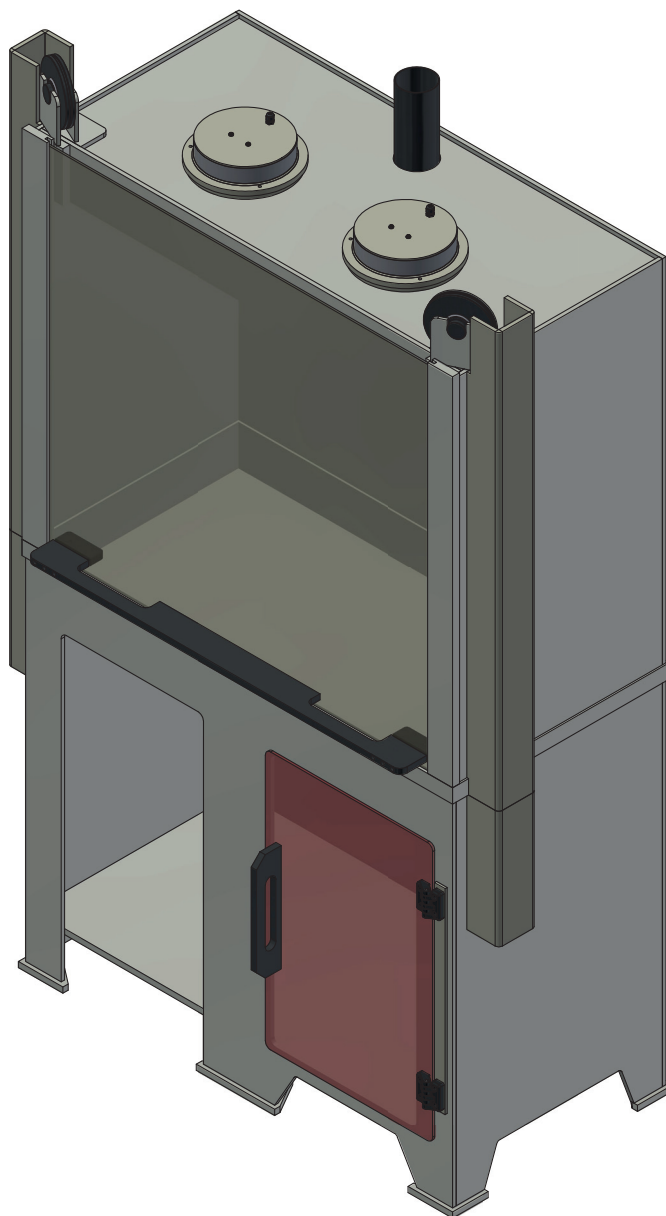


**DEDICATED SYSTEMS FOR THE TREATMENT OF LIQUIDS AND  
DEDICATED STORAGE ACCORDING TO THE CUSTOMER'S NEEDS**



## ANALYSIS LABORATORY

---

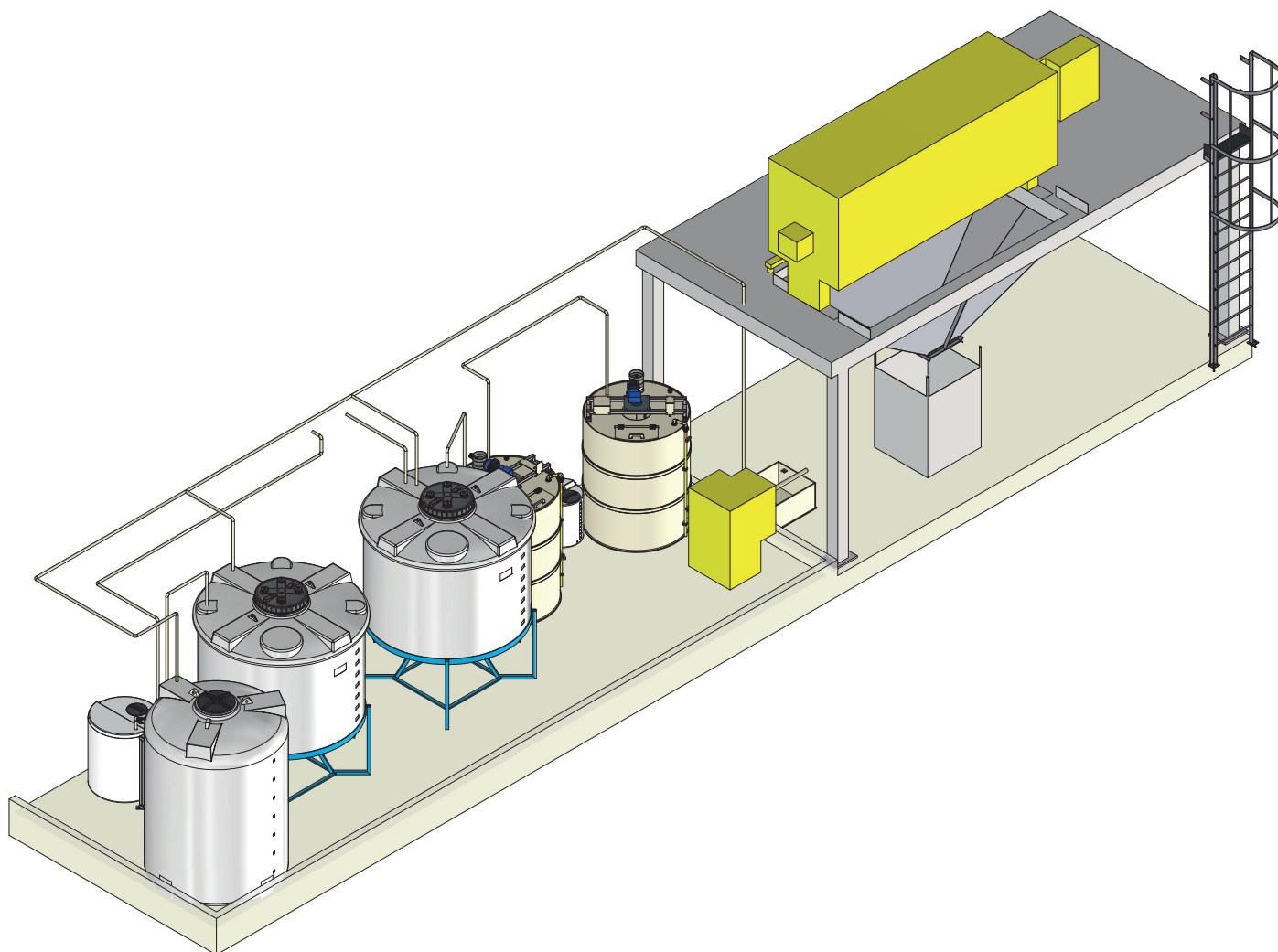


**CONSTRUCTION OF ANALYSIS LABORATORIES ON CUSTOMER REQUEST**



## WATER TREATMENT

---



**DEDICATED SYSTEMS FOR THE TREATMENT OF WASTEWATER,  
ACCORDING TO THE CUSTOMER'S NEEDS**

