

OPI | GROUP

Opificio Progettazioni Industriali

GOLD



GOLD

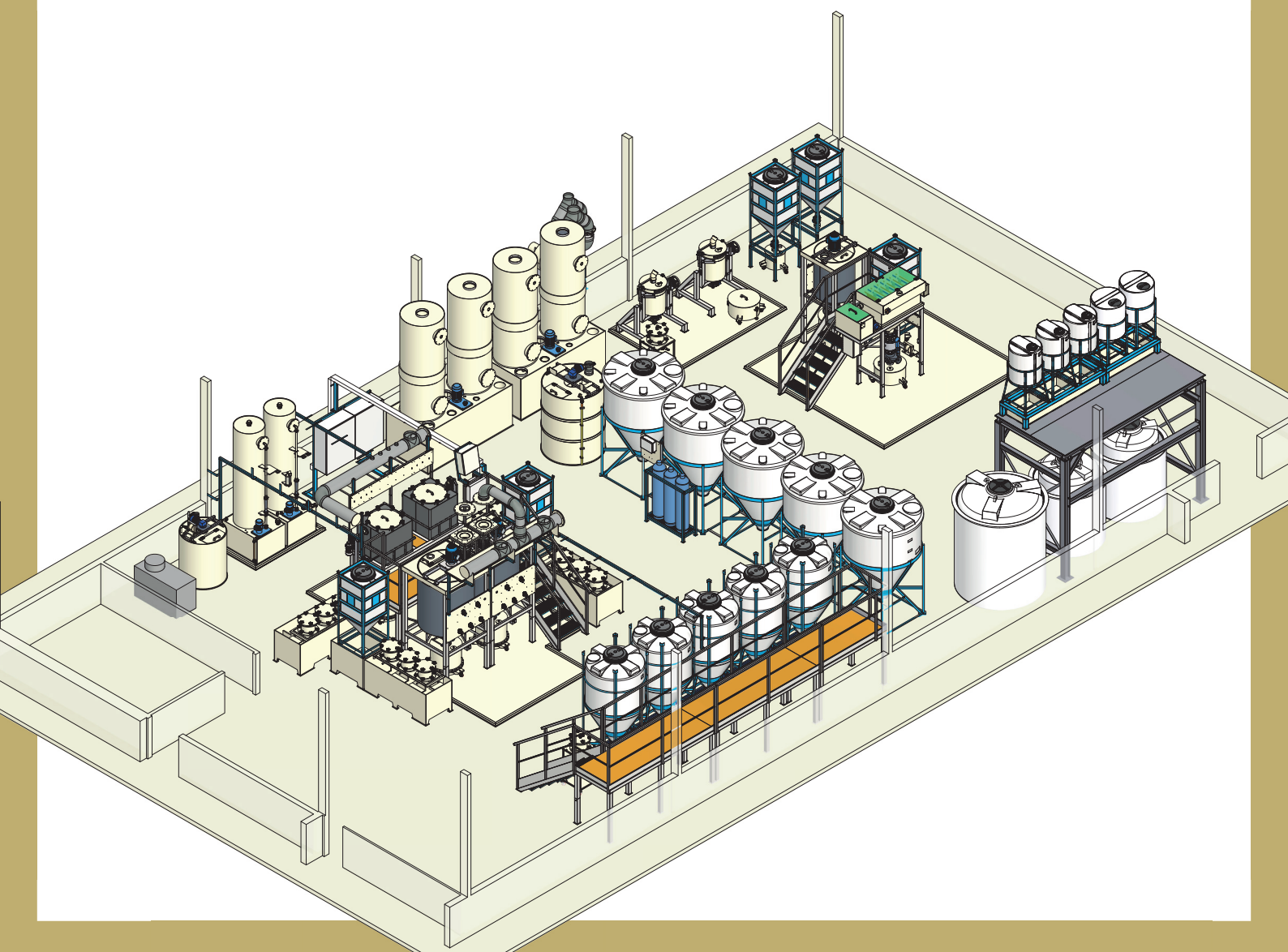
The refining plants by OPI GROUP are designed and manufactured according to the customer's needs and in compliance with anti-pollution regulations.

Acquaregia Gold refining system consists of one or more reactors made of PP, PVDF plastic material or TITANIUM, within which there is a rotating barrel built in the same durable materials; that allows a better dissolution of the alloy also with an high percentage of silver inside.

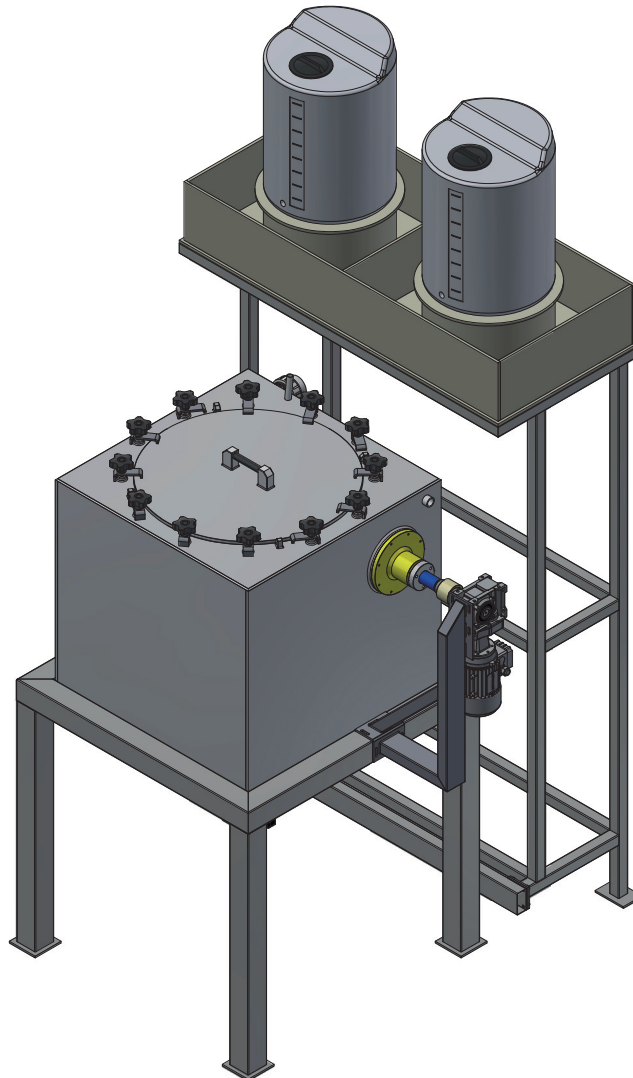
Therefore, they are not static installations and allow high performance and a greater effectiveness and efficiency in the dissolution process.

Having a hot processing cycle requires lesser time than a cold processing cycle; combining it with a mobile system allows performing several dissolutions during the day. The refining plants by OPI GROUP allow working 24 hours a day. The gold refining plant is equipped with: a frame made of AISI304/316 stainless steel, suction points, stair and walking surface with anti-slip resin flooring and Buchner filters. The system also includes an electric panel to control the machine actions and the process during the operation. Smoke neutralization is implemented with fumes reduction scrubber sized according to customer requirements.

The dimensioning and design of the system, in terms of both quantities to be processed and positioning, will be decided together with the customer.



ACQUAREGIA GOLD REFINERY

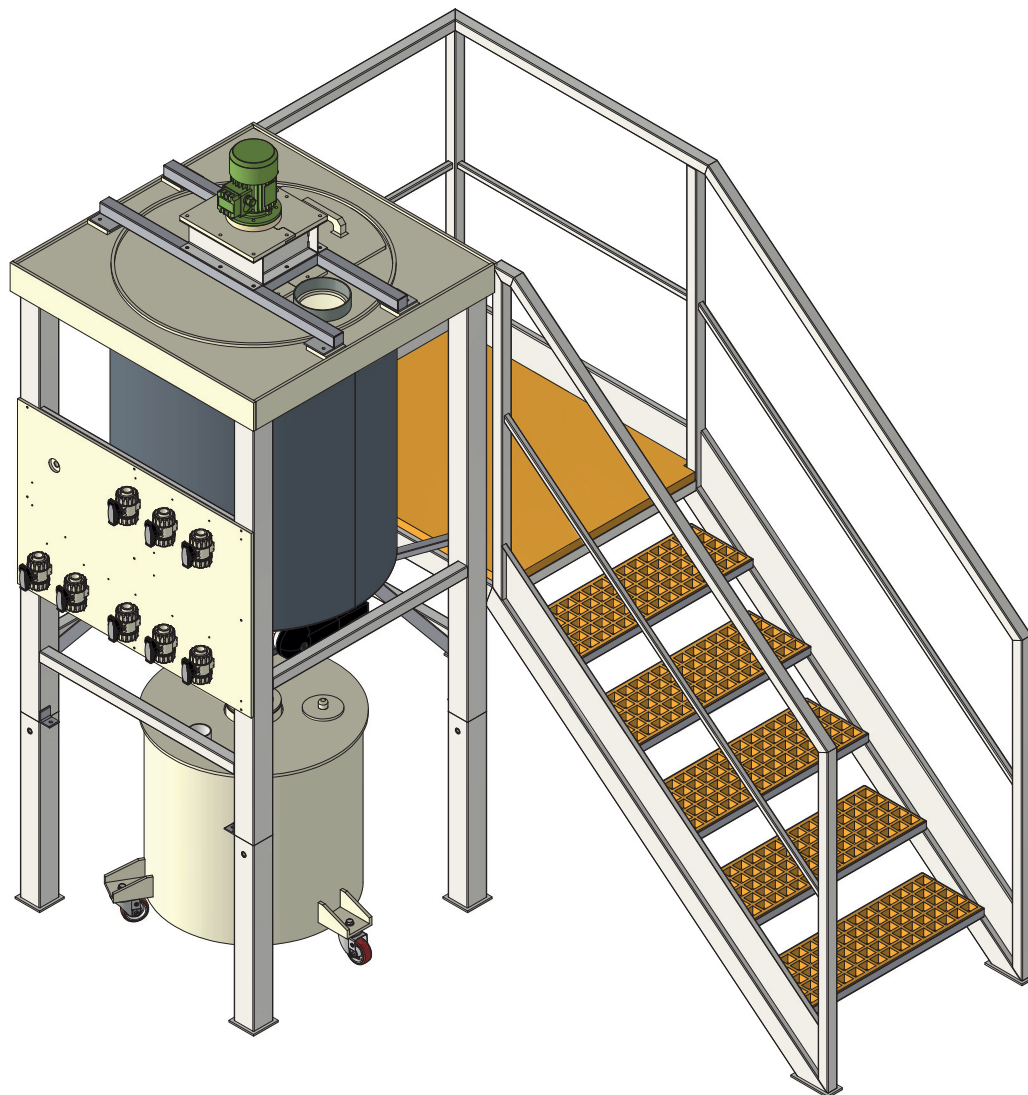


| MODEL | K5 | K25 | K50 | K100 |
|-----------------------|-----------------|-----------------|-----------------|-----------------|
| CAPACITY lt | 5 | 25 | 50 | 100 |
| POWER kW | 0,55 | 0,55 | 1,5 | 1,5 |
| HEATING POWER kW | 6,00 | 6,00 | 6,00 | 12,00 |
| OVERALL DIMENSIONS mm | 2000X1000XH2000 | 2500x1500xH2500 | 2500x1500xH2500 | 5000x2000xH2500 |

The dimensions are to be considered INDICATIVE and without stairs and/or walkways.



PRECIPITATOR

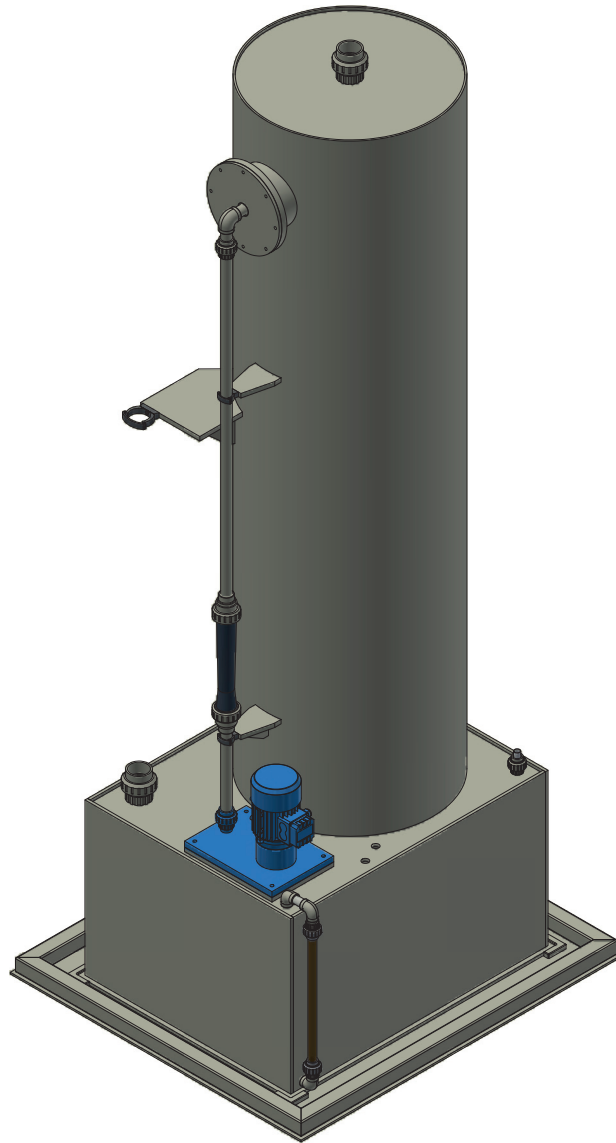


| MODEL | PR150 | PR500 | PR1200 |
|-----------------------|-----------------|-----------------|-----------------|
| CAPACITY lt | 150 | 500 | 1200 |
| POWER kW | 0,55 | 1,50 | 2,50 |
| OVERALL DIMENSIONS mm | 1000x1000xH1500 | 1200x1200xH2000 | 1500x1500xH2400 |

The dimensions are to be considered INDICATIVE and without stairs and/or walkways.



NOX SCRUBBER

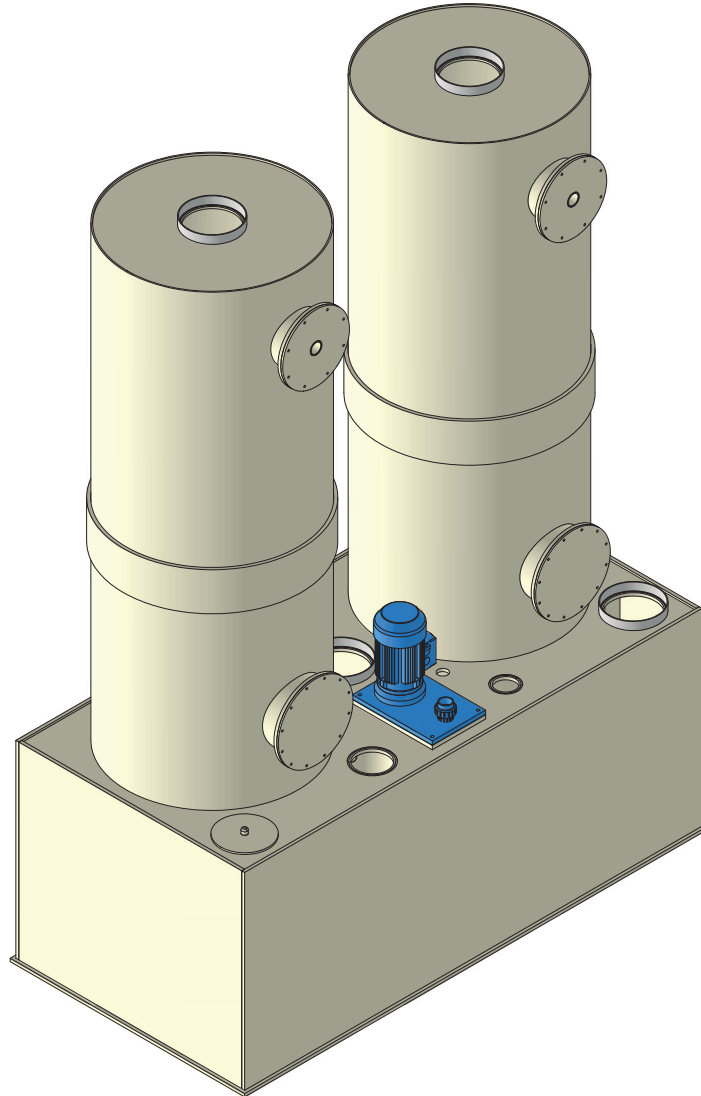


| MODEL | NOx600 | NOx2-600 |
|-----------------------|-----------------|-----------------|
| CAPACITY mc/h | 450 | 450 |
| POWER kW | 0,55 | 1,50 |
| OVERALL DIMENSIONS mm | 1000x1200xH2500 | 2100X1200XH2500 |

The dimensions are to be considered INDICATIVE and without stairs and/or walkways.



BASIC SCRUBBER



| MODEL | BS600 | BS2-600 | BS900 | BS2-900 |
|-----------------------|-----------------|-----------------|-----------------|-----------------|
| CAPACITY lt | 800 | 1500 | 2000 | 3500 |
| POWER kW | 3,00 | 3,50 | 6,50 | 8,50 |
| OVERALL DIMENSIONS mm | 1000x1200xH2500 | 2000X1200XH2500 | 1500X1500XH2500 | 2500X1500XH2500 |

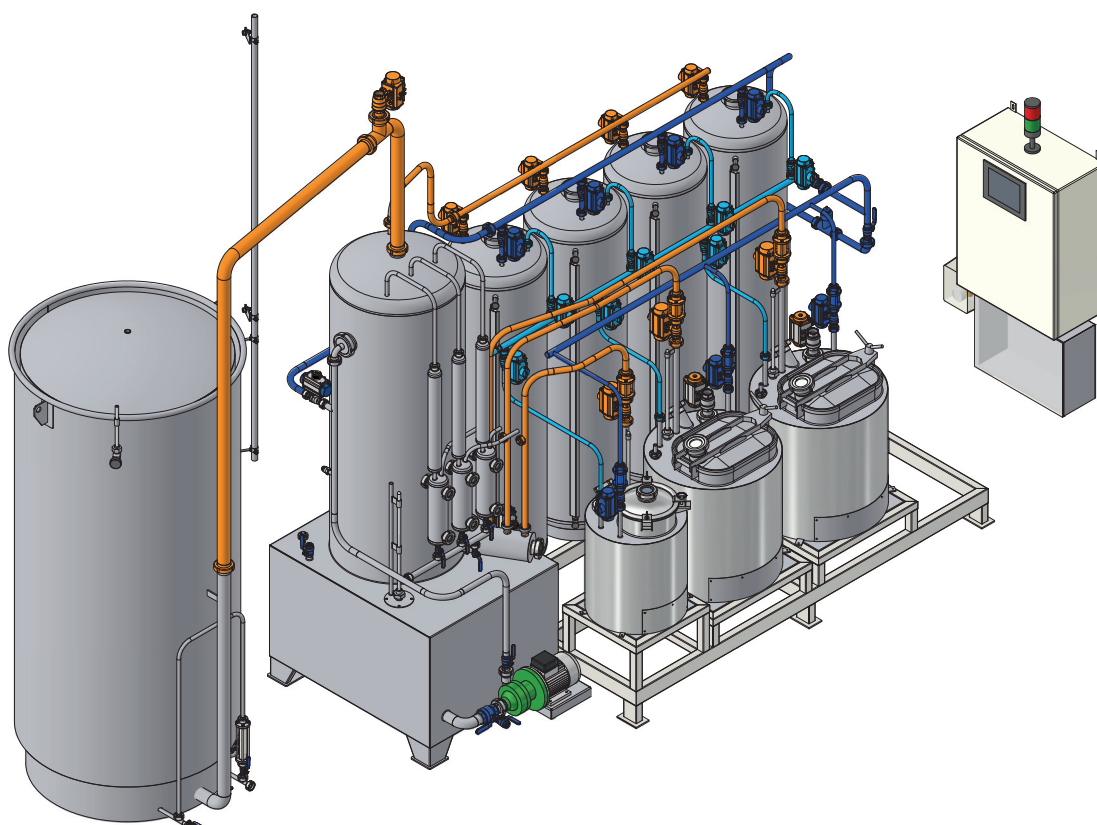
The dimensions are to be considered INDICATIVE and without stairs and/or walkways.



INQUARTATION SYSTEM

INQUARTATION SYSTEM by OPI Group serve to increase the quality of the alloy which will then be treated in the aquaregia refining system through dissolution with nitric acid. The systems are built with steel/titanium reactors and have the possibility of having a ZERO EMISSIONS system thanks to our installed gasometer.

All systems are modular, the customer could choose between different reactor sizes in the same machine.



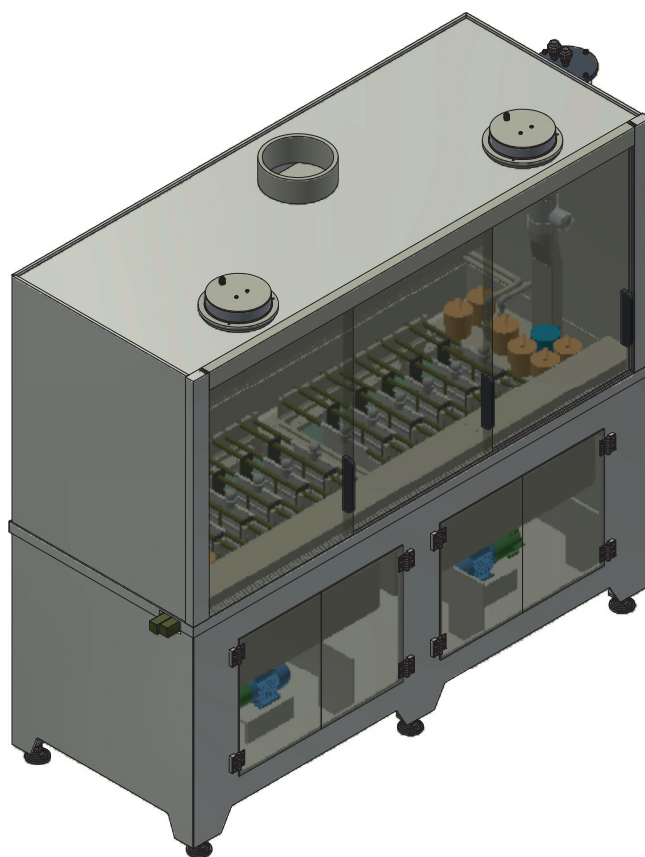
| MODEL | DR30 | DR100 | DR250 | DR500 |
|-----------------------|-----------------|-----------------|-----------------|-----------------|
| CAPACITY lt | 30 | 100 | 250 | 500 |
| POWER kW | 0,55 | 1,5 | 1,5 | 2,5 |
| HEATING POWER kW | 3,00 | 4,50 | 6,00 | 12,00 |
| OVERALL DIMENSIONS mm | 2000X1000XH2000 | 2500x1500xH2500 | 2500x1500xH2500 | 5000x2000xH2500 |

The dimensions are to be considered INDICATIVE and without stairs and/or walkways.



GOLD ELECTROLYSIS

The precious metals treatment and recovery system by OPI GROUP also includes the Gold Electrolysis process that allows obtaining a fineness of 999.9/1000 Au. Like all our systems, even these ones are sized according to the customer's needs. The produced smoke is conveyed and neutralized in special smoke reduction towers, appropriately sized. The dimensioning and design of the system, in term of both quantities to be processed and positioning, will be decided together with the customer.



| MODEL | GE5 | GE10 | GE25 | GE50 |
|-----------------------|-----------------|-----------------|-----------------|-----------------|
| CAPACITY lt | 5 | 10 | 25 | 50 |
| POWER kW | 0,55 | 1,5 | 1,5 | 2,5 |
| HEATING POWER kW | 3,00 | 4,50 | 6,00 | 12,00 |
| OVERALL DIMENSIONS mm | 2000X1000XH2000 | 2500x1500xH2500 | 2500x1500xH2500 | 5000x2000xH2500 |

The dimensions are to be considered INDICATIVE and without stairs and/or walkways.

