

# OPI | GROUP

Opificio Progettazioni Industriali

# COPPER

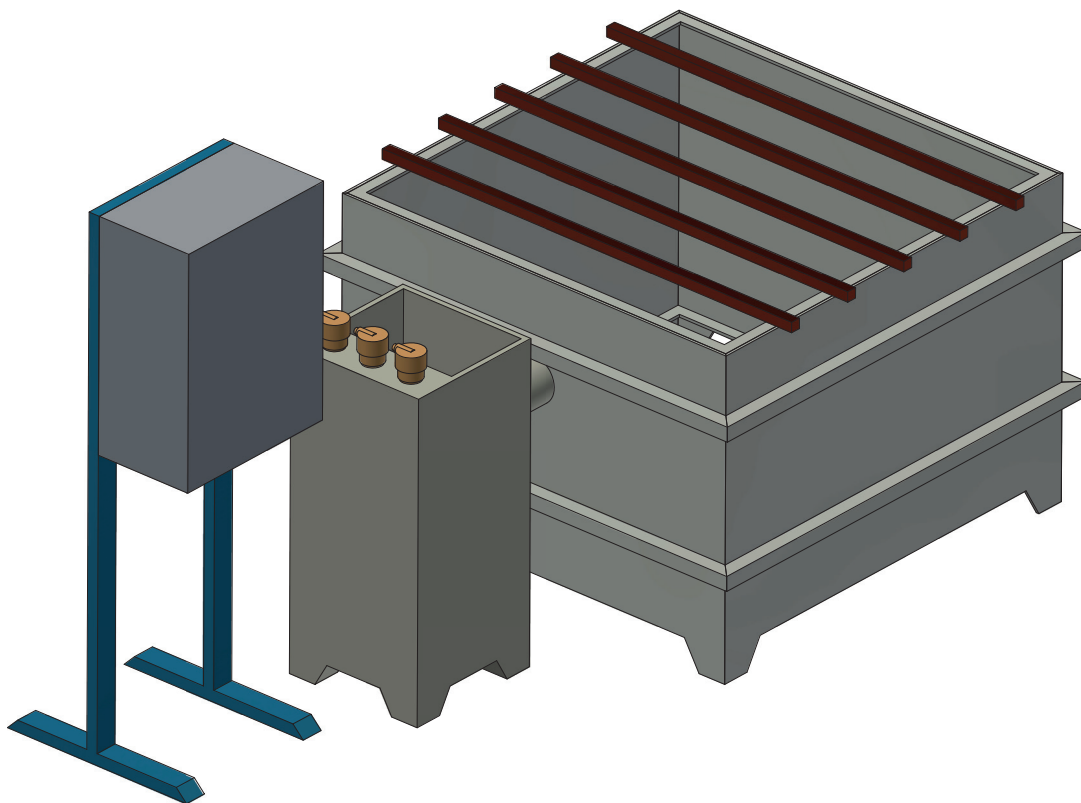
---



## COPPER ELECTROLYSIS

OPI GROUP offers an electrolytic system for copper recovery and refining starting from both alloys and solutions; this system is modular and customizable according to the different customer's needs. The system consists of one or more reinforced self-extinguishing PP or PPs tanks equipped with suction system and supports for anodes and cathodes, a recirculation pump for the solution and one or more rectifiers. The result of the electrolysis allows having a copper fineness of 999.9/1000. The produced fume is conveyed and neutralized in special smoke reduction towers, appropriately sized.

The dimensioning and design of the system, in term of both quantities to be processed and positioning, will be decided together with the customer.

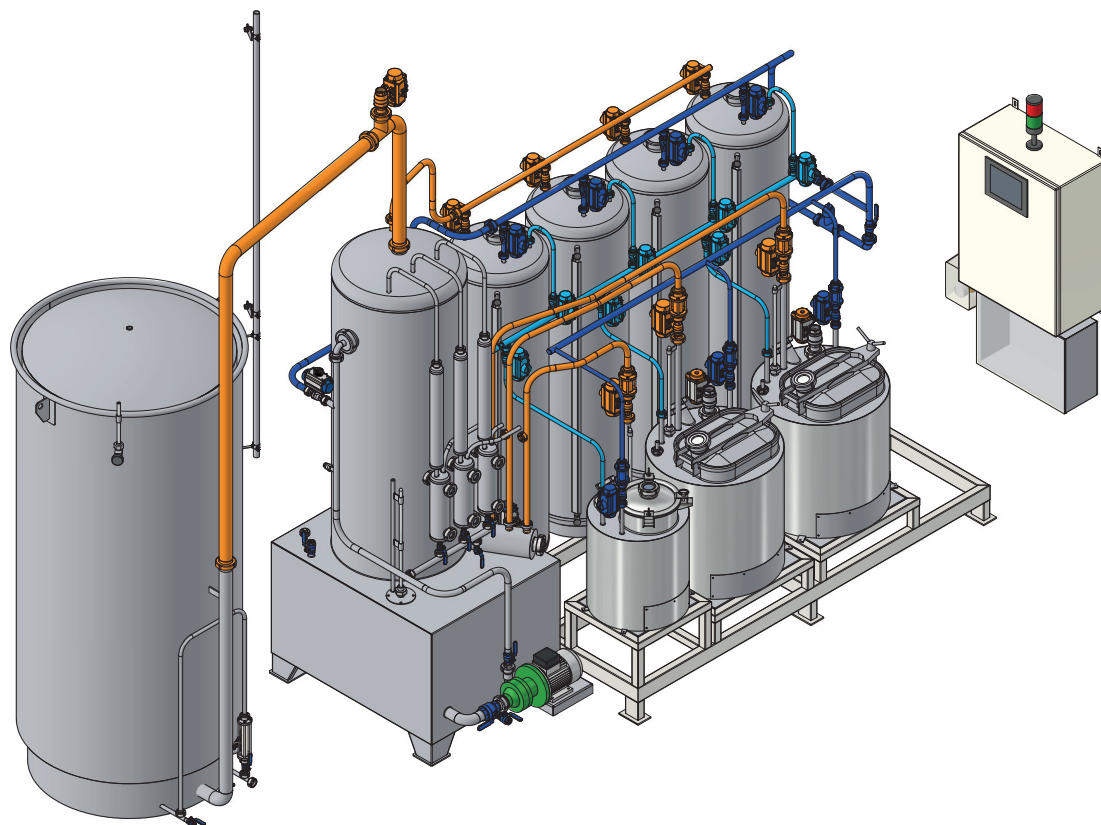


MODEL	CES25	CES50
PRODUCTION CAPACITY Kg/24H	25	50

The dimensions are to be considered INDICATIVE and without stairs and/or walkways.



## CHEMICAL COPPER REFINING AND COPPER BATH PREPARATION



MODEL	DR30	DR100	DR250	DR500	DR500
CAPACITY lt	30	100	250	500	500
POWER kW	0,55	1,5	1,5	2,5	2,5
HEATING POWER kW	3,00	4,50	6,00	12,00	12,00
OVERALL DIMENSIONS mm	2000X1000XH2000	2500x1500xH2500	2500x1500xH2500	5000x2000xH2500	5000x2000xH2500

The dimensions are to be considered INDICATIVE and without stairs and/or walkways.

